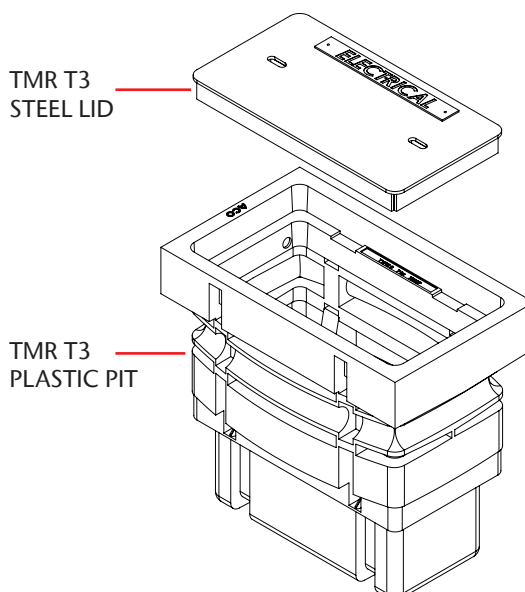


TMR Type 3 and Type 4 Pits

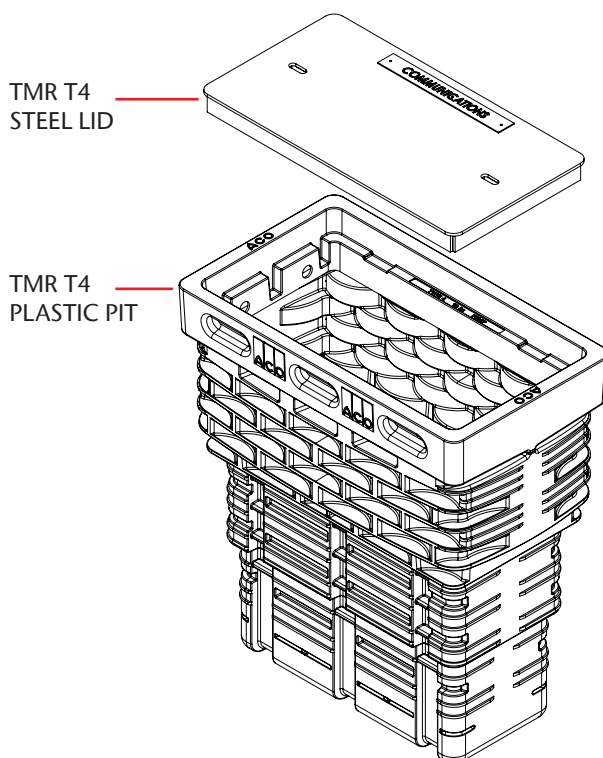
QLD Government - Department of Transport and Main Roads (TMR)

Product Description

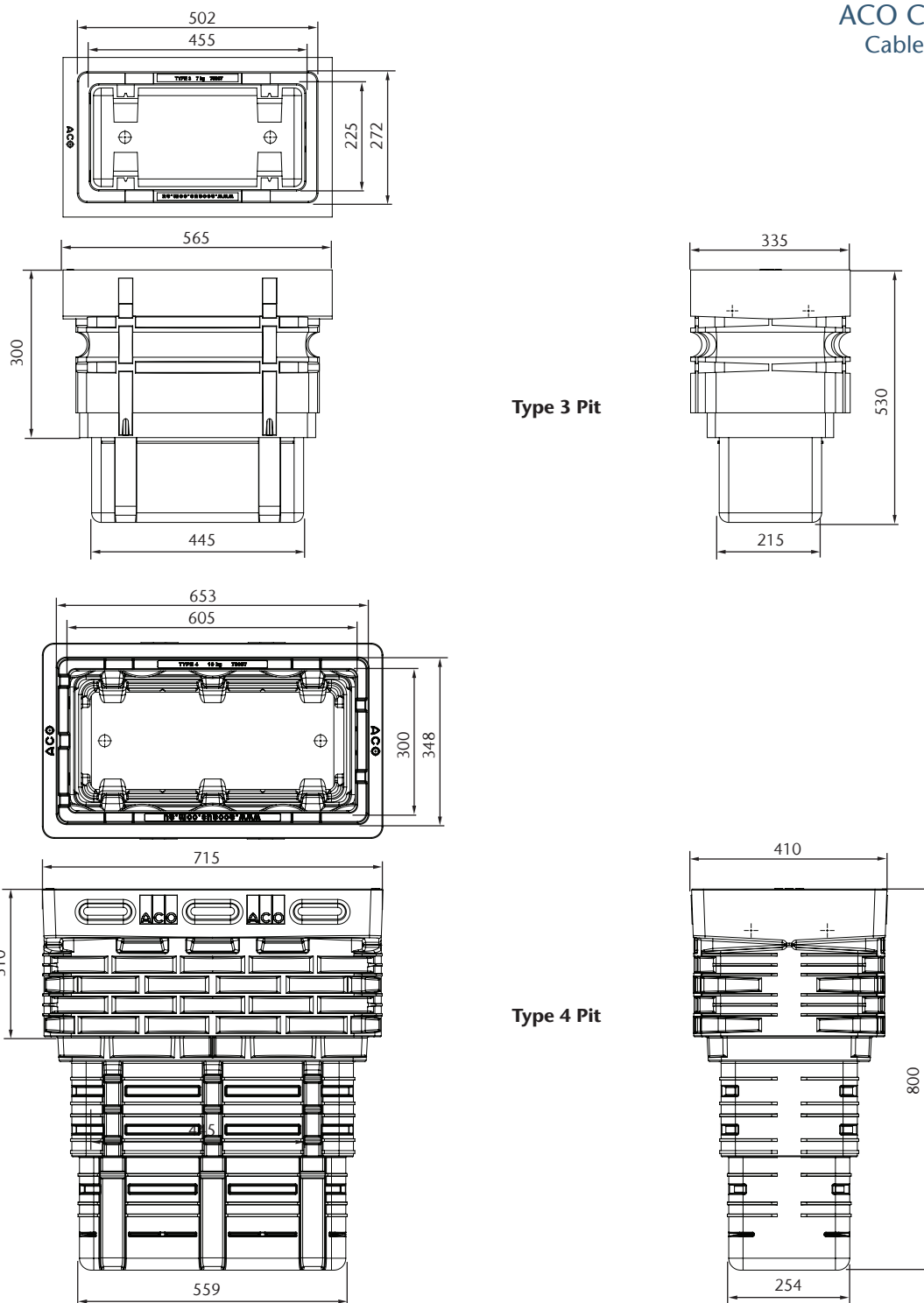
- Rectangular pits and steel lids
- Complies with MRTS91 Conduits and Pits
- Pits manufactured from polyethylene
- Steel lids are manufactured to MRTS78 Fabrication of Structural Steelwork
- Non-slip, non-conductive coating applied to the top of steel lids
- Batch Certificate of Compliance from TMR



Type 3 Pit and Steel Lid



Type 4 Pit and Steel Lid



Type 3 Pit

Type 4 Pit

Part Table

Part No.	Description
75865	T3 TMR - Plastic Pit
5051033	T3 TMR - Steel Lid - Communications
5051034	T3 TMR - Steel Lid - Electrical
5051035	T3 TMR - Steel Lid - Earth
75957	T4 TMR - Plastic Pit
5051043	T4 TMR - Steel Lid - Communications
5051044	T4 TMR - Steel Lid - Electrical